

FIELD UNIT FOR SMOKE SHUTTER WITH ADDITIONAL DIGITAL I/O

- 1 digital output 24 VDC switching polarity, for control of magnet controlled smoke shutters such as Avantage, Kamouflage,...
- 4 digital inputs (potential free)
- 2 digital outputs (NO relays)
- Has a predefined address (no addressing required during system commissioning)
- AC 230 V mains power



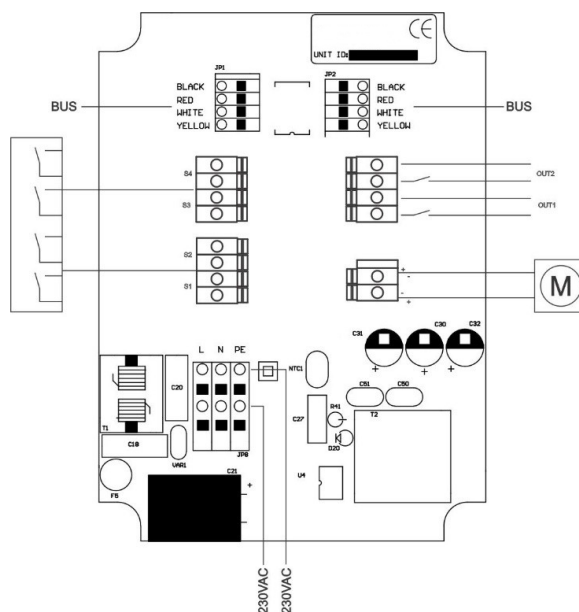
TECHNICAL DATA

ELECTRICAL DATA	
Nominal voltage	AC 230 V 50/60 Hz
Nominal voltage range	AC 100 ... 230 V
For wire sizing	18 VA
Power consumption from mains	Actuator consumption + 200 mW
Power consumption from bus	5 mW
Connecting	Power supply terminal 2 x 3 x max. 2.5 mm ² (min. 0.5 mm ²) Actuator outputs, 2 poles Digital inputs, 2 x 4 poles Digital outputs, 1x 4 poles Bus terminal 2 x 4 x 1.5 mm ² wire
SAFETY	
Protection class	Class II (all insulated)
Degree of protection	IP54
EMC	CE according to 2004/108/EC
Low-voltage-directive	CE according to 2006/95/EC
Ambient humidity range	IEC 60730-1 max. 95 %
Ambient temperature range	0 ... +55 °C
Non-operating temperature	-40 ... +85 °C
Maintenance	Maintenance-free
DIMENSIONS / WEIGHT	
Dimensions	154 x 114 x 77 mm
Weight	400 g

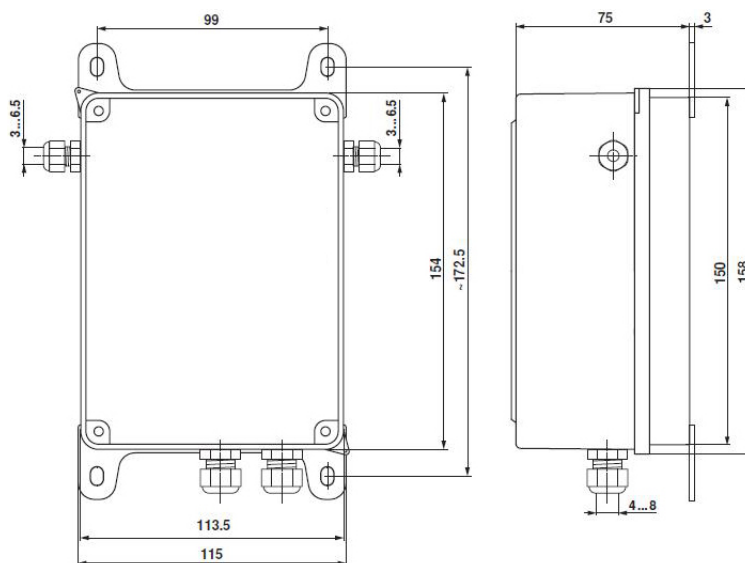
PRODUCT FEATURES

Control of damper and outputs	ZENiX 1SSH is used for controlling one shutter / window actuator (magnet released mechanisms), 2 digital outputs NO relay contacts and 4 digital potential free inputs. The unit is connected to the ZENiX controller module via a 4 wire bus communication.
Output safe state	Relays will go to preprogrammed safe state if there is no communication with master controller for 10s.
Isolation	The actuator is isolated from mains by a transformer.
Predefined address	Each unit has a predefined address, no addressing required.
Work without 230 V	ZENiX 1SSH unit is able to work without 230 V, but then it is only sending data about digital inputs.

WIRING AND RESOURCES



DIMENSIONS AND MOUNTING



SAFETY NOTES



- The device is not allowed to be used outside the specified field of application, especially in aircraft or in any other airborne means of transport.
- Caution: Power supply voltage!
- It may only be installed by suitably trained personnel. Any legal regulations or regulations issued by authorities must be observed during assembly.
- The device may only be opened at the manufacturer's site. It does not contain any parts that can be replaced or repaired by the user.
- The device contains electrical and electronic components and is not allowed to be disposed of as household refuse. All locally valid regulations and requirements must be observed.

If the product is manipulated in any other way than described, Rf-Technologies will decline any responsibility and the guarantee will immediately expire!

